

HC-49/US(2pins/3pins) Crystal UNITS

Features

- ▶ Small size , Light weight , 2pins/3pins.
- ▶ High dependability by means of resistance weld hermetic seal.
- ▶ Tape and reel available.
- ▶ Height 2.5mm available.
- ▶ RoHS compliant and lead free.

RoHS / Pb Free

Type	HC-49/US(2pins/3pins)
Freq. range	3.0 ~ 150.0MHz
Vibration mode	AT cut , Fundamental , 3rd
Frequency tolerance (at 25°C)	-/+10ppm , -/+30ppm , or specify
Equivalent series resistance	See table No.1
Frequency stability over operating temperature range	-/+10ppm , -/+30ppm , or specify
Operating temperature range	-10 ~ +60°C , or specify
Drive Level	300uW Max.
Shunt capacitance	5.0pF Max.
Load capacitance	16pF, 18pF, 20pF, or specify
Aging	-/+2ppm/year , -/+5ppm/year

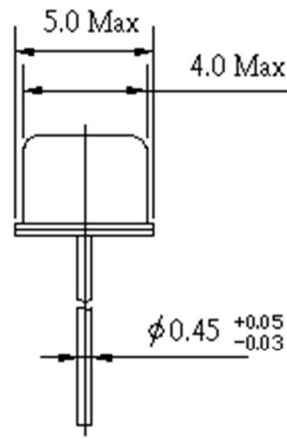
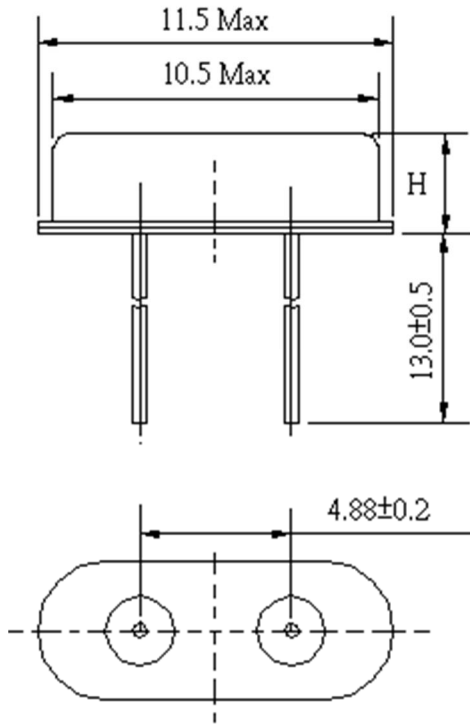
Equivalent series resistance(ESR) Table No.1

Frequency	Mode	ESR
3.0~3.9MHz	Fundamental	150 ohms Max.
4.0~4.9MHz	Fundamental	130 ohms Max.
5.0~5.9MHz	Fundamental	120 ohms Max.
6.0~7.9MHz	Fundamental	100 ohms Max.
8.0~9.9MHz	Fundamental	80 ohms Max.
10.0~14.9MHz	Fundamental	60 ohms Max.
15.0~54.0MHz	Fundamental	40 ohms Max.
36.0~150.0MHz	3rd	70 ohms Max.

**HC-49/US(2pins/3pins)
Crystal UNITS**

◆ Dimensions (Unit:mm)

◆ 49US(2pins)



Type	H (Max)
HC-49/US-3.5	3.5
HC-49/US-2.5	2.5

◆ 49US(3pins)

